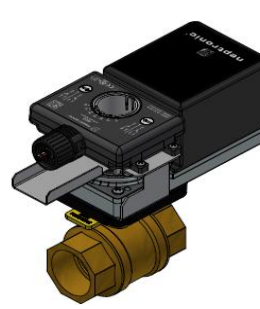


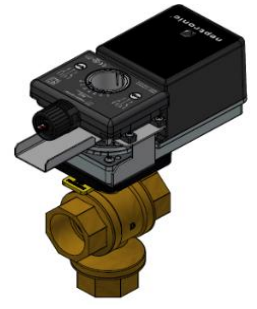
Models

AC2-B-BV (2-way): Auxiliary switches for D, B, and S actuators.

AC2-B-BV (3-way): Auxiliary switches for D, B, and S actuators.



AC2-B-BV (2-way)



AC2-B-BV (3-way)

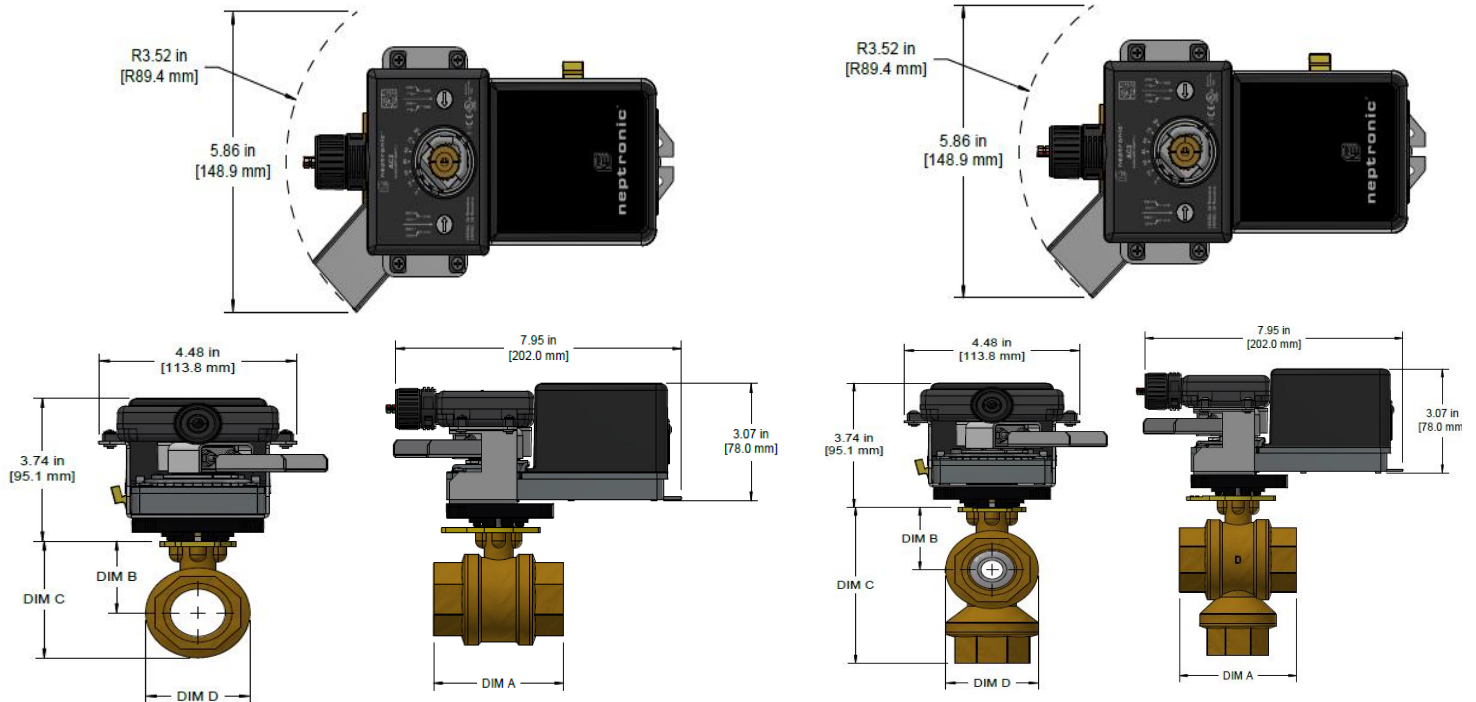
Technical Specification

Description	AC2-B-BV (Griswold)
Actuator Compatibility	Neptronic D, B and S series actuators
Power Supply	125VAC, 5A Resistive or 250VAC, 3A Resistive
Electrical Connection	Cable 39.5 in (1 m), 6 x 18AWG, FT1 with ½" conduit connector
Purpose and Action of Control	Type 1 operating control
Construction of Control	Independently mounted, accessory
Pollution Degree	2
Impulse Voltage	4000V

Dimensions

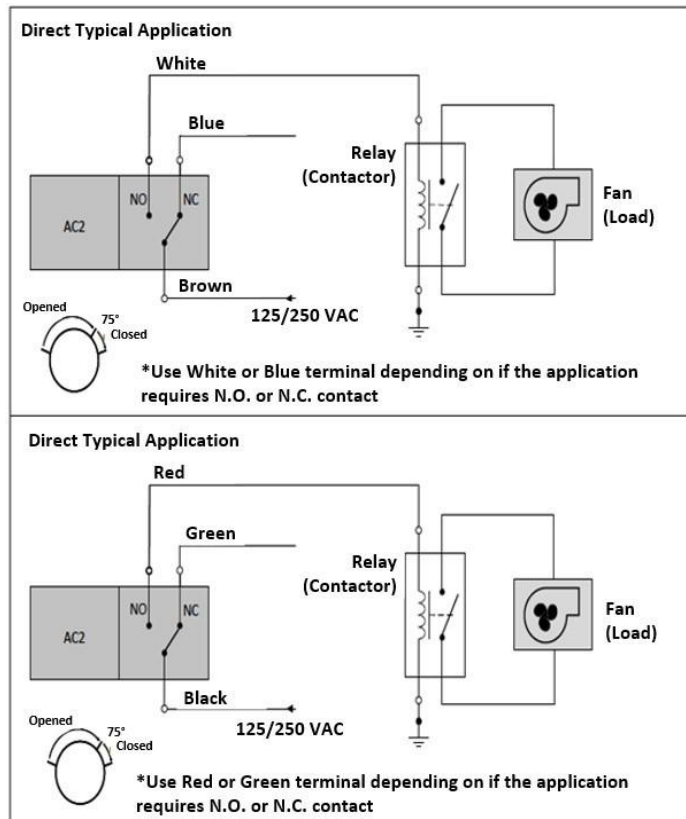
With 2-Way Valve

With 3-Way Valve



Valve Size		Cv	Kv	Dim A	Dim B	Dim C	Dim D
½" [DN15]	2-way	0.4 to 12	0.3 to 10	2.37" [60.2mm]	1.33" [33.7mm]	1.94" [49.1mm]	1.71" [43.4mm]
	3-way	0.3 to 8	0.3 to 7		1.47" [37.2mm]	3.34" [84.8mm]	
¾" [DN20]	2-way	10 to 29	8.5 to 25	2.76" [70.1mm]	1.47" [37.2mm]	2.23" [56.6mm]	1.71" [43.4mm]
	3-way	3.8 to 13	3.2 to 11			3.54" [89.8mm]	
1" [DN25]	2-way	16 to 54	14 to 46	3.04" [77.2mm]	1.67" [42.3mm]	2.57" [65.3mm]	1.81" [46mm]
	3-way	8.6	7.4			4.09" [103.9mm]	
1" [DN25]	2-way	-	-	-	-	-	-
	3-way	22	19	4.03" [102.2mm]	1.89" [47.9mm]	5.04" [128mm]	2.36" [59.9mm]
1-1/4" [DN32]	2-way	26 to 102	22 to 87	3.62" [91.9mm]	1.89" [47.9mm]	3.07" [79.9mm]	2.36" [59.9mm]
	3-way	13 to 34	11 to 29			4.70" [119.4mm]	
1-1/2" [DN40]	2-way	41 to 172	35 to 147	4.06" [103.1mm]	2.22" [56.3mm]	3.63" [92.2mm]	2.83" [71.9mm]
	3-way	24 to 61	20 to 52			5.38" [136.7mm]	
2" [DN50]	2-way	71 to 266	61 to 227	4.90" [125mm]	2.51" [63.6mm]	4.26" [108.1mm]	3.50" [88.9mm]
	3-way	38 to 56	32 to 48	4.00" [98mm]	2.22" [56.3mm]	5.35" [135.9mm]	2.83" [71.9mm]
2" [DN50]	2-way	-	-	-	-	-	-
	3-way	83 to 108	71 to 92	5.00" [127mm]	2.51" [63.6mm]	6.36" [161.5mm]	3.50" [88.9mm]
2-1/2" [DN65]	2-way	101 to 202	86 to 173	5.35" [135.9mm]	-	4.26" [108.1mm]	3.50" [88.9mm]
	3-way	74 to 99	63 to 85		2.51" [53.6mm]	6.59" [167.3mm]	
3" [DN80]	2-way	124 to 145	106 to 124	5.73" [146mm]	2.51" [53.6mm]	4.52" [114.7mm]	4.02" [102.1mm]
	3-way	-	-	-	-	-	-

Wiring Diagram



The auxiliary switch is factory preset to 10°-80°

Mounting Instructions

Before beginning installation, ensure the actuator is set to the 45° position.

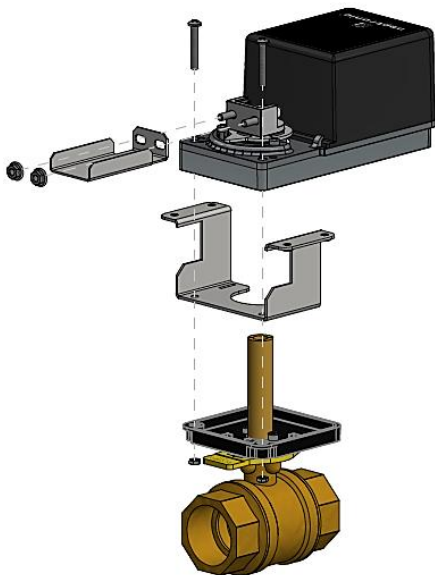
Step 1 – Remove the Old Handle

- Remove the existing handle and the metal mounting plate.
- Discard or recycle the removed parts according to your site requirements.



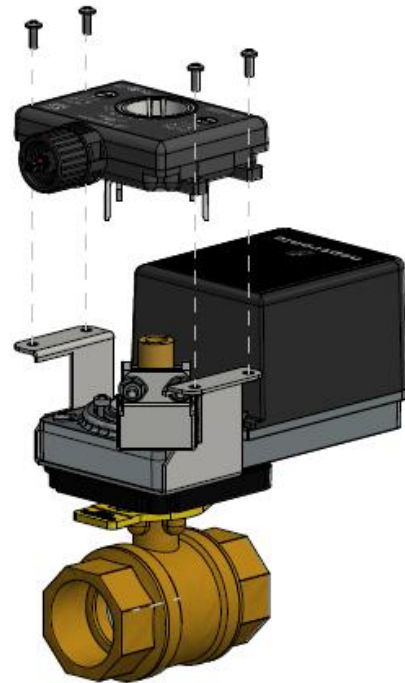
Step 2 – Remove the Actuator from the bracket

- Unscrew the actuator from the current bracket.
Note: Small nuts are retained inside the bracket—do not lose them.
- Position the actuator and bracket components as shown in the exploded view below.



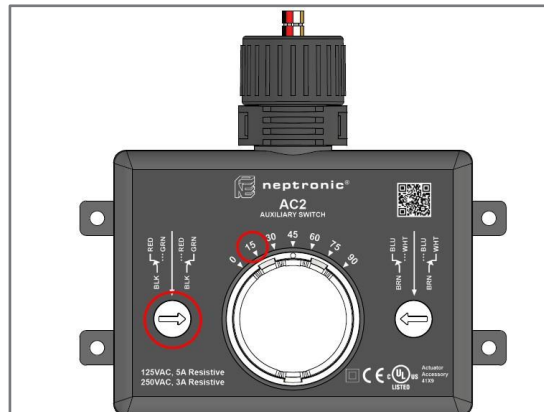
Step 3 – Install the Actuator Assembly (AC2)

- Align the actuator assembly onto the valve/bracket assembly.
- Install the 4 mounting screws and tighten evenly.
- Confirm the actuator sits flush and is securely fastened.



Actuator Positioning

1. Turn the dial on the auxiliary switch to the desired position for the actuator lower contact.
2. Using a flathead screwdriver, turn the left arrow on the auxiliary switch so that the arrowhead is aligned with the arrow on the wiring diagram.



15° Position

1. Turn the dial on the auxiliary switch to the desired position for the actuator upper contact.
2. Using a flathead screwdriver, turn the right arrow on the auxiliary switch so that the arrowhead is aligned with the arrow on the wiring diagram.



Recycling at end of life: please return this product to your Neptronic local distributor for recycling. If you need to find the nearest Neptronic authorized distributor, please consult www.neptronic.com.